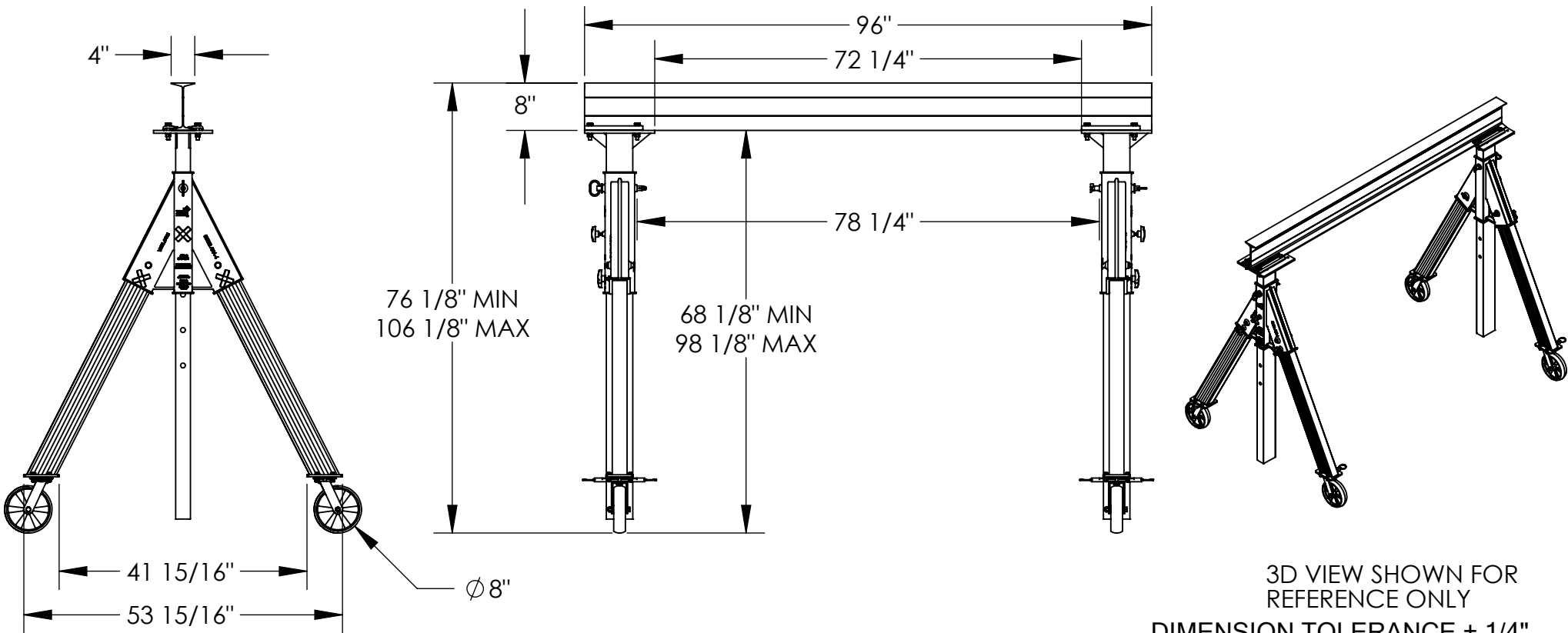


ADJUSTABLE ALUMINUM GANTRY CRANE - AHA-4-8-8

APPROX WEIGHT: 333 lbs.
DOES NOT INCLUDE WEIGHT OF POWER OR PACKAGING!!!

*** ANY ADDITIONS, DELETIONS, OR OMISSIONS MUST BE CORRECTED ON THIS DRAWING AS THIS DRAWING WILL BE CONSIDERED ALL INCLUSIVE ***

ALL GRAPHICS PROVIDED ARE FOR REFERENCE ONLY. IF CERTAIN DIMENSIONS ARE CRITICAL PLEASE VERIFY THOSE DIMENSIONS WITH YOUR SALESPERSON



3D VIEW SHOWN FOR REFERENCE ONLY

DIMENSION TOLERANCE $\pm 1/4"$

STANDARD FEATURES

MODEL NUMBER IS AHA-4-8-8
CAPACITY IS 4,000 LBS.
BASE WIDTH IS 53 15/16"
MAX OVERALL HEIGHT IS 106 1/8"
I-BEAM HEIGHT IS 8"
I-BEAM FLANGE WIDTH IS 4"
OVERALL I-BEAM LENGTH IS 96"
USABLE I-BEAM LENGTH IS 72 1/4"
ADJUSTABLE UNDER I-BEAM HEIGHT
68 1/8" MIN
98 1/8" MAX
HEIGHT IS ADJUSTABLE IN 6" INCREMENTS
CASTERS: (4) $\phi 8"$ X 2" WIDE GLASS FILLED
NYLON SWIVEL CASTERS WITH FOUR
LOCKING POSITIONS
ALUMINUM CONSTRUCTION

SPECIAL FEATURES

NONE

APPROVAL

I, THE UNDERSIGNED, AGREE THAT THE PRODUCT AS REPRESENTED SATISFIES DESIGN AND DIMENSION REQUIREMENTS. I ALSO ACKNOWLEDGE MY DUTY TO CONFIRM PRODUCT AND INSTALLATION COMPLIANCE WITH ALL APPLICABLE FEDERAL, STATE AND LOCAL REGULATIONS AND STANDARDS.

UNITS REQUIRING APPROVAL DRAWINGS OR MODIFIED ARE NON-RETURNABLE

As drawn As marked

Signed: _____ Date: _____

Printed Name: _____

LEAD TIME WILL START UPON RECEIPT OF SIGNED APPROVAL DRAWING

FOR INTERNAL USE ONLY
PROJECT SIGN OFF

SALES	
ENG.	
FAB.	
POWER	

DISTRIBUTOR'S NAME: HOF EQUIPMENT COMPANY		P.O.# X
PH: 888-990-1150		W.O.# X
DRAWN BY: ND	DATE: 03/25/11	SALES: X
REFERENCE: X	SCALE: 1:25	FILE NAME: 28-007-226
QUOTED LEAD TIME: X	QUOTE # X	